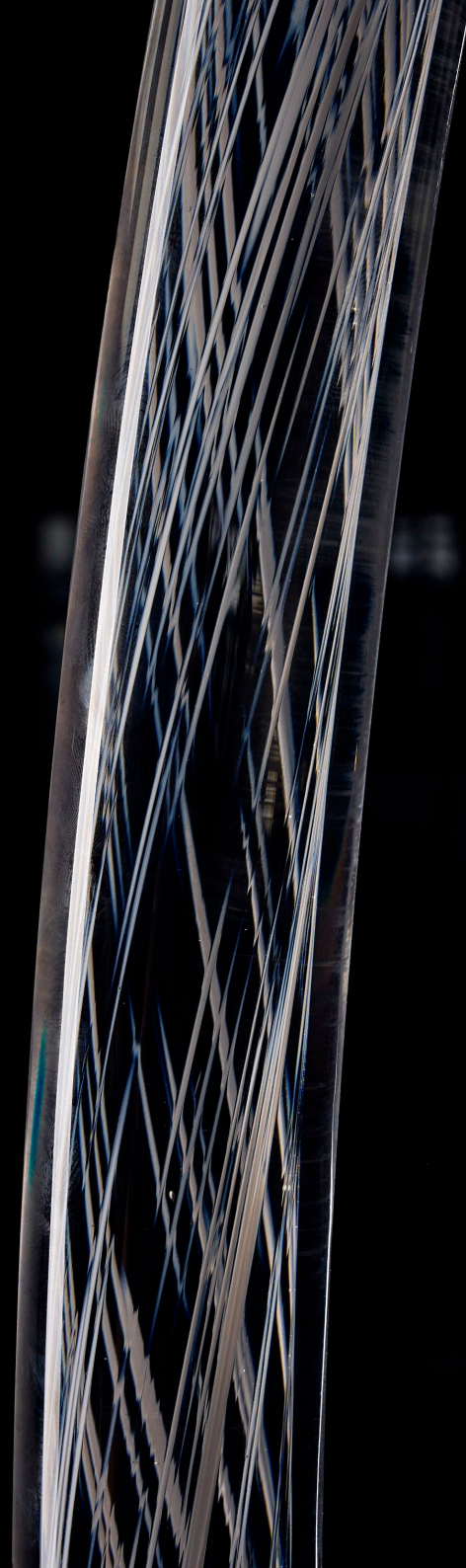




flore

loomma





inspiration



FLARE
A glimpse of inner light

The beam inside BOMMA's Flare lights its magical spiral structure inside the crystal rod. This new collection, designed by Kateřina Handlová, pays homage to traditional glassmaking techniques and allows architects and designers to create distinctive lighting installations for diverse spaces.

Design by Kateřina Handlová



FLARE
A glimpse of inner light

The collection includes crystal glass rods in three shapes, one perfectly straight and two bent in varying degrees. They can be infinitely combined to create custom installations. Each rod has brushed-silver or brushed-gold mounting on one end, while the other end is mounted with a steel wire to determine its position in space.

Design by Kateřina Handlová

production



The molten-glass core is covered by small glass shards, then dipped back in molten crystal.



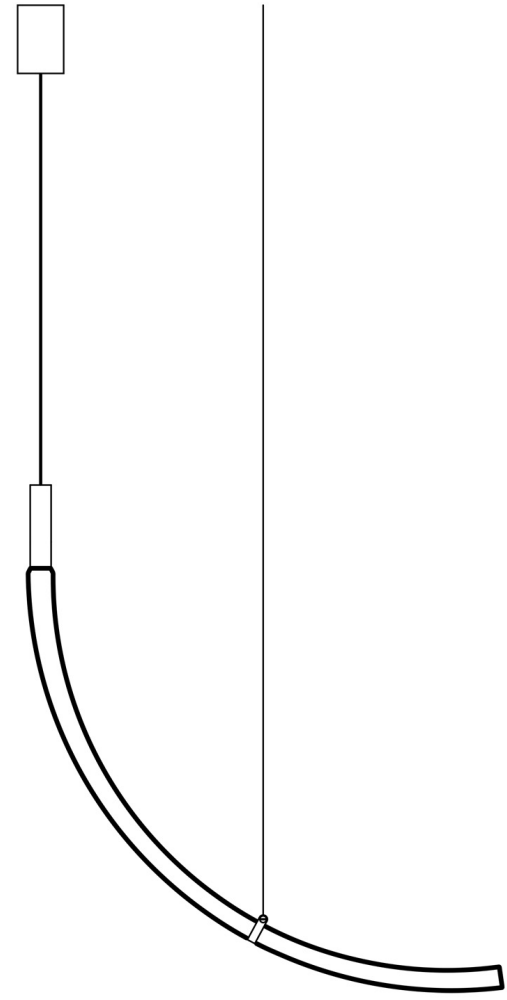
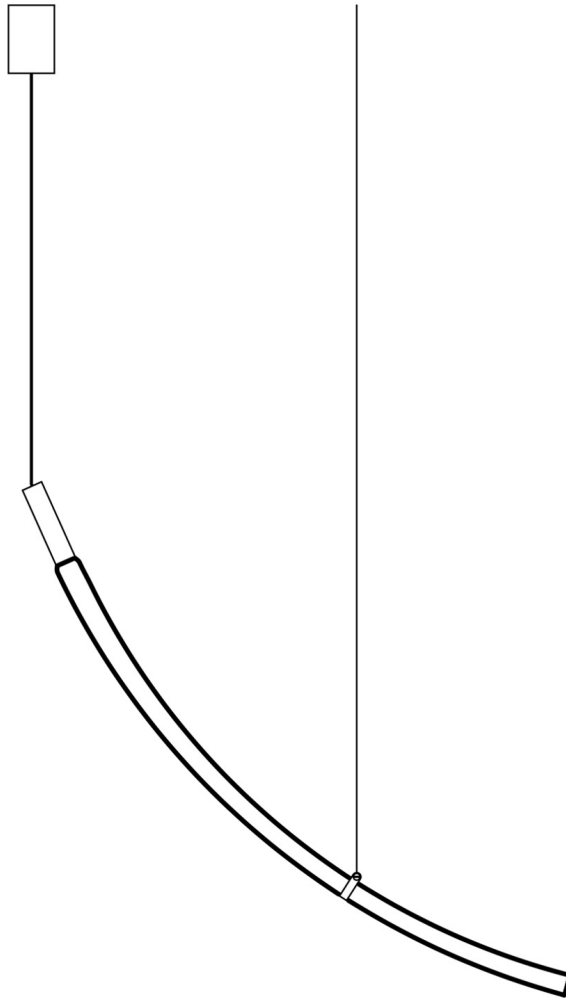
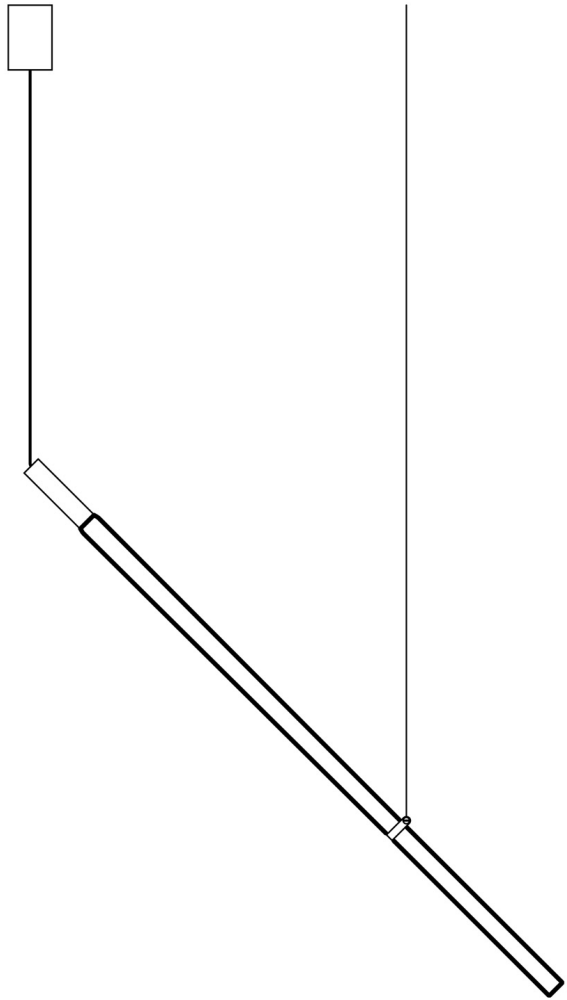
The glassmakers then pull the piece to a desired length, stretching the fragments across the interior of the glass rod.



This creates a magical texture inside the rod, seemingly its own Universe, flaring every time a switch is flipped.

lomma

options



clear with spiral structure
brushed brass or brushed silver

pendant

projects



Image by Studio Salaris

technical information

FLARE pendant A

Design by
Kateřina Handlová

Handmade glass attributes

All Bomma products are hand-made from lead-free crystal. Therefore any small bubbles, non-melts and irregularities in the glass are both proof and a characteristic feature of this traditional craft.

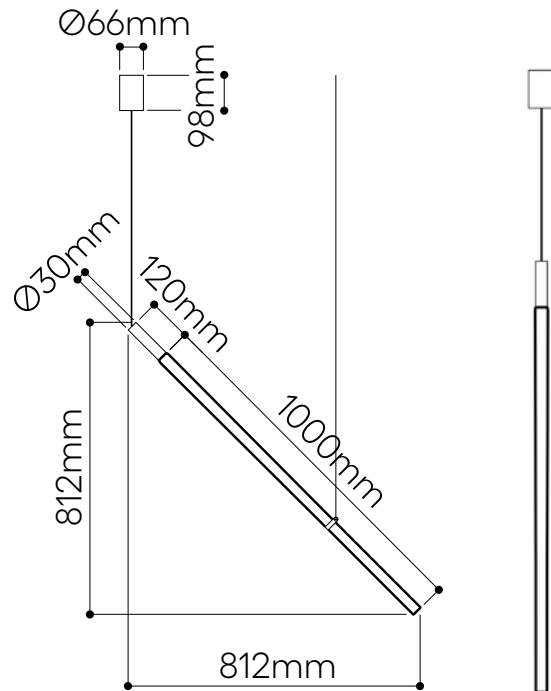
LIGHTING DESCRIPTION

Size	1200 x 30 mm 44,09 x 1,18 inch
Cable	transparent 2,5 m / 98,4 inch
Weight	+ - 2,5 kg / 5,5 lb
Glass	lead-free crystal with white spiral decor
Canopy	brushed gold (brushed brass), brushed silver (brushed stainless steel with dural)
Protection	IP 20
Nominal voltage	220-240V / A.C. 50-60 Hz (EU) 110-120 V / A.C. 60 Hz (USA)
Class	II. EU / I. USA

LIGHT SOURCE

Type	LED MCOB, 4 W (+-5%), 120 mA, 400 lm
Voltage	Vtyp 30-42V DC, I _{max} 150 mA
Temperature	2700 K
Color index	RA 90+
Dimming	Dimmable with TRIAC, PUSH, DALI

Origin: traditionally produced in the Czech Republic
Intellectual property license holder: Bomma Czech Republic (EU)
Represented by BMRC group s.r.o.



CERTIFICATES



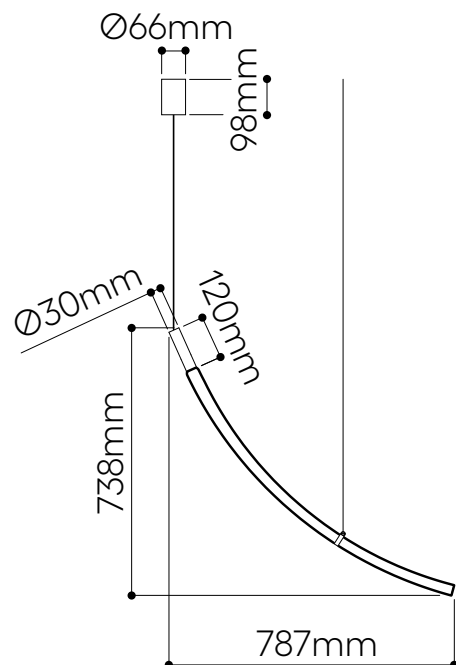
bomma

FLARE pendant B

Design by
Kateřina Handlová

Handmade glass attributes

All Bomma products are hand-made from lead-free crystal. Therefore any small bubbles, non-melts and irregularities in the glass are both proof and a characteristic feature of this traditional craft.



LIGHTING DESCRIPTION

Size	1066 x 30 mm 41,97 x 1,18 inch
Cable	transparent 2,5 m / 98,4 inch
Weight	+ - 2,5 kg / 5,5 lb
Glass	lead-free crystal with white spiral decor
Canopy	brushed gold (brushed brass), brushed silver (brushed stainless steel with dural)
Protection	IP 20
Nominal voltage	220-240V / A.C. 50-60 Hz (EU) 110-120 V / A.C. 60 Hz (USA)
Class	II. EU / I. USA

LIGHT SOURCE

Type	LED MCOB, 4 W (+-5%), 120 mA, 400 lm
Voltage	Vtyp 30-42V DC, I _{max} 150 mA
Temperature	2700 K
Color index	RA 90+
Dimming	Dimmable with TRIAC, PUSH, DALI

Origin: traditionally produced in the Czech Republic
Intellectual property license holder: Bomma Czech Republic (EU)
Represented by BMRC group s.r.o.

CERTIFICATES



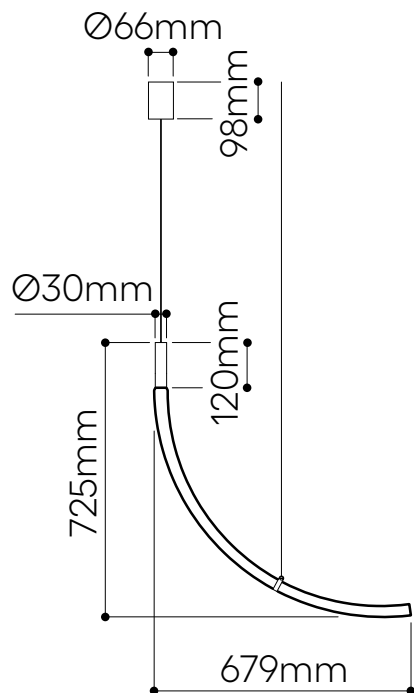
bomma

FLARE pendant C

Design by
Kateřina Handlová

Handmade glass attributes

All Bomma products are hand-made from lead-free crystal. Therefore any small bubbles, non-melts and irregularities in the glass are both proof and a characteristic feature of this traditional craft.



LIGHTING DESCRIPTION

Size	989 x 30 mm 38,94 x 1,18 inch
Cable	transparent 2,5 m / 98,4 inch
Weight	+/- 2,5 kg / 5,5 lb
Glass	lead-free crystal with white spiral decor
Canopy	brushed gold (brushed brass), brushed silver (brushed stainless steel with dural)
Protection	IP 20
Nominal voltage	220-240V / A.C. 50-60 Hz (EU) 110-120 V / A.C. 60 Hz (USA)
Class	II. EU / I. USA

LIGHT SOURCE

Type	LED MCOB, 4 W (+-5%), 120 mA, 400 lm
Voltage	Vtyp 30-42V DC, I _{max} 150 mA
Temperature	2700 K
Color index	RA 90+
Dimming	Dimmable with TRIAC, PUSH, DALI

Origin: traditionally produced in the Czech Republic
Intellectual property license holder: Bomma Czech Republic (EU)
Represented by BMRC group s.r.o.

CERTIFICATES



bomma

BMRC Group s.r.o.
Pod Dráhou 1638/7,
Prague 7, 170 00,
Czech Republic

info@bomma.cz

step beyond